

SERIES: 370

SPECIFICATION: SAE AS614

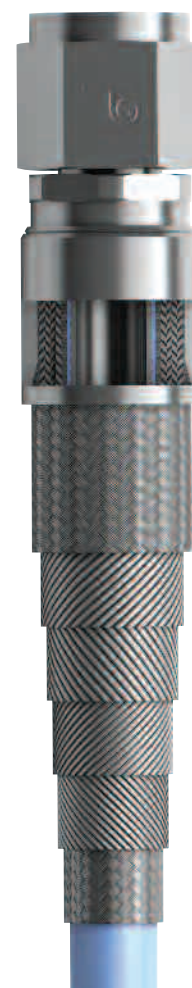
BRAID: CRES

INNERCORE: PTFE Smoothbore

QUALIFICATIONS: SAE AS614,
AS1055 Type IIa & IIb,
Class A & B, Integral and Slip-on Firesleeve

R154 (370 SERIES):

R154 (370 series) is a heavy duty 4000psi (276 bar) aerospace hose assembly qualified to AS614. The hose consists of an extruded smoothbore PTFE innercore, reinforced with multiple layers of CRES 304 wire braid. The PTFE innercore is conductive and provides excellent chemical resistance through a temperature range of -65°F to +400°F (-54°C to +204°C) with unlimited shelf life. The rugged 370 Series is especially suited to applications with significant impulsing, and outputs from hydraulic or pneumatic pumps. Standard fittings are CRES, however titanium fittings are also available. Fire protection per AS1055 Class A & B can be either integral or slip-on AS1072 firesleeve. Chafe sleeves are available in a variety of integral or slip-on materials. Hybrid assemblies combining flex hose with multi-bend tube are a Titeflex specialty and provide improved vibration dampening, ease of installation, and maintenance over strictly rigid tube.



Hose size 8 depicted (Not to scale). Actual hose construction varies by size.

ENGLISH

HOSE SIZE	OPERATING PRESSURE	HOSE ID (MIN)	HOSE OD (MIN)	HOSE OD (MAX)	BRAIDED HOSE WT/1/	BEND RADIUS (MIN) /2/	PROOF PRESSURE	ROOM TEMP BURST (MIN)	HIGH TEMP BURST (MIN)
	psi	in	in	in	lb/in	in	psi	psi	psi
4	4,000	0.212	0.45	0.495	0.022	3	8,000	16,000	12,000
6	4,000	0.298	0.555	0.62	0.037	5	8,000	16,000	12,000
8	4,000	0.391	0.72	0.82	0.045	5.75	8,000	16,000	12,000
10	4,000	0.485	0.85	0.95	0.07	6.5	8,000	16,000	12,000
12	4,000	0.602	1.03	1.1	0.105	7.75	8,000	16,000	12,000
16	4,000	0.852	1.21	1.42	0.17	9.625	8,000	16,000	12,000
20	4,000	1.101	1.64	1.68	0.198	12	8,000	16,000	12,000

NOTES:

/1/ Over minimum 12 inch length

/2/ Inside of bend



TITFLEX R154 (370 SERIES)

METRIC

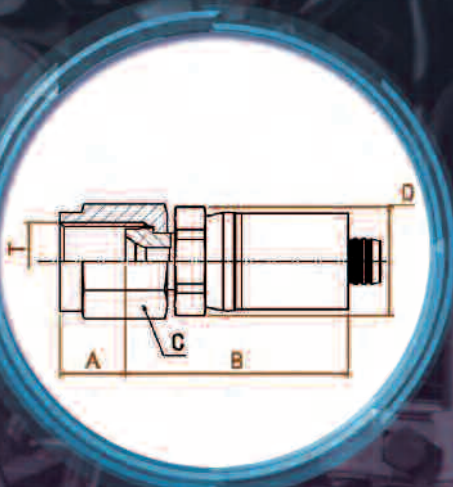
HOSE SIZE	OPERATING PRESSURE	HOSE ID (MIN)	HOSE OD (MIN)	HOSE OD (MAX)	BRAIDED HOSE WT/1/	BEND RADIUS (MIN) /2/	PROOF PRESSURE	ROOM TEMP BURST (MIN)	HIGH TEMP BURST (MIN)
	bar	mm	mm	mm	g/m	mm	bar	bar	bar
4	276	5.4	11.4	12.6	393	76.2	552	1 103	827
6	276	7.6	14.1	15.7	661	127	552	1 120	827
8	276	9.9	18.3	20.8	804	146.1	552	1 103	827
10	276	12.3	21.6	24.1	1 250	165.1	552	1 103	827
12	276	15.3	26.2	27.9	1 875	196.9	552	1 103	827
16	276	21.6	30.7	36.1	3 036	244.5	552	1 103	827
20	276	28	41.7	42.7	3 530	305	552	1 103	827

NOTES:
 /1/ Over minimum 305 mm length
 /2/ Inside of bend

TITEFLEX R154 (370 SERIES) FLARED (JIC) FITTINGS

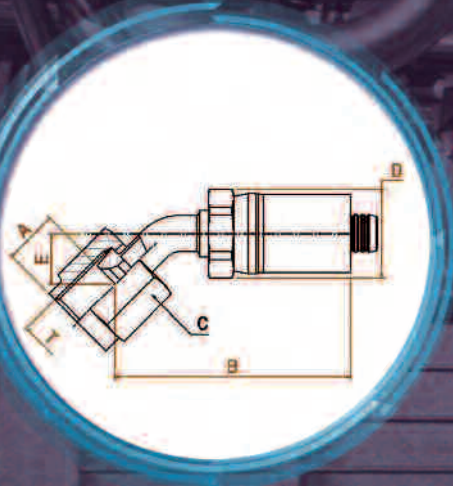
ENGLISH - INCHES

STRAIGHT FLARED FITTINGS - MATES WITH AS33656/AS4395 & AS33657/AS4396



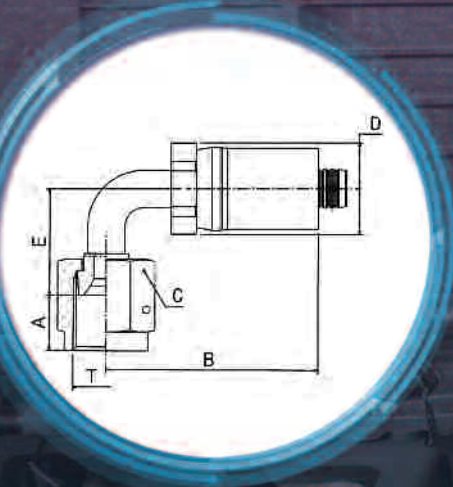
HOSE SIZE	PART NUMBER	NUTTHREAD SIZE (T)	NUT ENGAGEMENT LENGTH (A)	REACH MAX (B)	NUT SIZE (C)	COLLAR HEX SIZE (D)	DROP (E)	WEIGHT (LB) CRES
4	Y40004-42	.4375-20	0.372	1.385	0.562	0.875	NA	0.1
6	Y40006-42	.5625-18	0.375	1.460	0.688	1.000	NA	0.1
8	Y40008-42	.7500-16	0.438	1.810	0.875	1.200	NA	0.2
10	Y40010-42	.8750-14	0.515	2.270	1.000	1.406	NA	0.3
12	Y40012-42	1.0625-12	0.562	2.320	1.250	1.687	NA	0.5
16	Y40016-42	1.3125-12	0.620	2.610	1.500	2.000	NA	0.7
20	Y40020-42	1.6250-12	0.620	3.150	1.812	2.125	NA	1.4

45° ELBOW FLARED FITTINGS - MATES WITH AS33656/AS4395 & AS33657/AS4396



HOSE SIZE	PART NUMBER	NUTTHREAD SIZE (T)	NUT ENGAGEMENT LENGTH (A)	REACH MAX (B)	NUT SIZE (C)	COLLAR HEX SIZE (D)	DROP (E)	WEIGHT (LB) CRES
4	Y40104-42	.4375-20	0.372	1.875	0.562	0.875	0.348	0.1
6	Y40106-42	.5625-18	0.375	2.055	0.688	1.000	0.471	0.1
8	Y40108-42	.7500-16	0.438	2.525	0.875	1.200	0.572	0.2
10	Y40110-42	.8750-14	0.515	3.200	1.000	1.406	0.643	0.3
12	Y40112-42	1.0625-12	0.562	3.450	1.250	1.687	0.680	0.5

90° ELBOW FLARED FITTINGS - MATES WITH AS33656/AS4395 & AS33657/AS4396



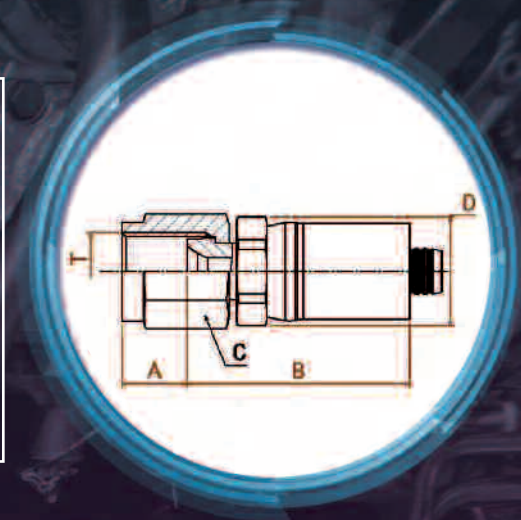
HOSE SIZE	PART NUMBER	NUTTHREAD SIZE (T)	NUT ENGAGEMENT LENGTH (A)	REACH MAX (B)	NUT SIZE (C)	COLLAR HEX SIZE (D)	DROP (E)	WEIGHT (LB) CRES
4	Y40204-42	.4375-20	0.372	1.640	0.562	0.875	0.642	0.1
6	Y40206-42	.5625-18	0.375	1.790	0.688	1.000	0.890	0.1
8	Y40208-42	.7500-16	0.438	2.220	0.875	1.200	1.107	0.2
10	Y40210-42	.8750-14	0.515	2.900	1.000	1.406	1.281	0.4
12	Y40212-42	1.0625-12	0.562	3.135	1.250	1.687	1.405	0.6

TITEFLEX R154 (370 SERIES) FLARED (JIC) FITTINGS

METRIC - MILLIMETERS

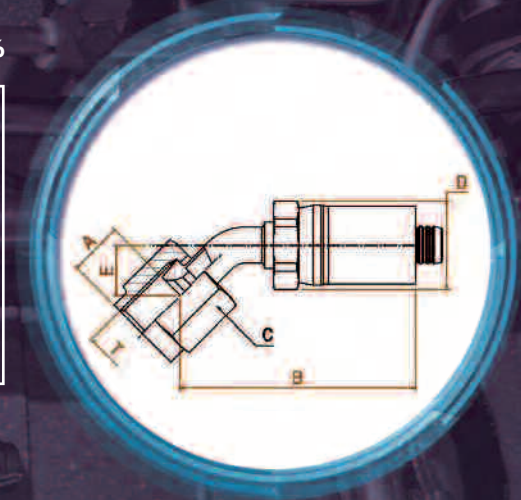
STRAIGHT FLARED FITTINGS - MATES WITH AS33656/AS4395 & AS33657/AS4396

HOSE SIZE	PART NUMBER	NUT THREAD SIZE (T)	NUT ENGAGEMENT LENGTH (A)	REACH MAX (B)	NUT SIZE (C)	COLLAR HEX SIZE (D)	DROP (E)	WEIGHT (GRAMS) CRES
4	Y40004-42	.4375-20	9.4	35.2	14.3	22.2	NA	31.5
6	Y40006-42	.5625-18	9.5	37.1	17.5	25.4	NA	54.0
8	Y40008-42	.7500-16	11.1	46.0	22.2	30.5	NA	93.5
10	Y40010-42	.8750-14	13.1	57.7	25.4	35.7	NA	147.0
12	Y40012-42	1.0625-12	14.3	58.9	31.8	42.8	NA	225.0
16	Y40016-42	1.3125-12	15.7	66.3	38.1	50.8	NA	336.0
20	Y40020-42	1.6250-12	15.7	80.0	46.0	54.0	NA	315.0



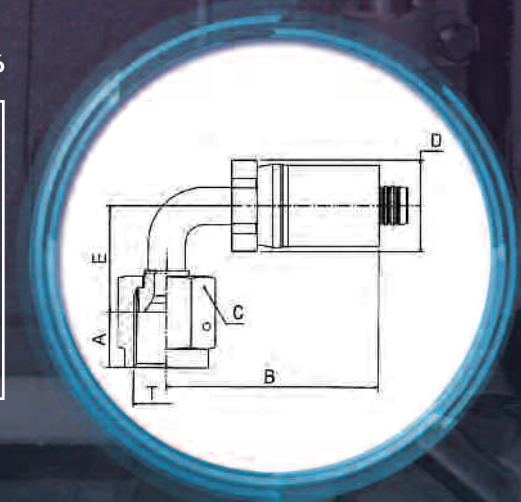
45° ELBOW FLARED FITTINGS - MATES WITH AS33656/AS4395 & AS33657/AS4396

HOSE SIZE	PART NUMBER	NUT THREAD SIZE (T)	NUT ENGAGEMENT LENGTH (A)	REACH MAX (B)	NUT SIZE (C)	COLLAR HEX SIZE (D)	DROP (E)	WEIGHT (GRAMS) CRES
4	Y40104-42	.4375-20	9.4	47.6	14.3	22.2	8.8	36.0
6	Y40106-42	.5625-18	9.5	52.2	17.5	25.4	12.0	61.0
8	Y40108-42	.7500-16	11.1	64.1	22.2	30.5	14.5	103.0
10	Y40110-42	.8750-14	13.1	81.3	25.4	35.7	16.3	164.0
12	Y40112-42	1.0625-12	14.3	87.6	31.8	42.8	17.3	246.0



90° ELBOW FLARED FITTINGS - MATES WITH AS33656/AS4395 & AS33657/AS4396

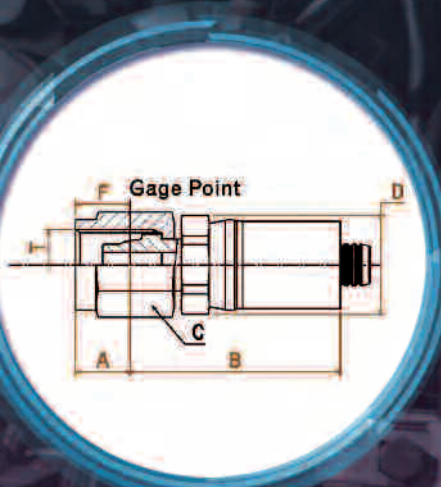
HOSE SIZE	PART NUMBER	NUT THREAD SIZE (T)	NUT ENGAGEMENT LENGTH (A)	REACH MAX (B)	NUT SIZE (C)	COLLAR HEX SIZE (D)	DROP (E)	WEIGHT (GRAMS) CRES
4	Y40204-42	.4375-20	9.4	41.7	14.3	22.2	16.3	36.0
6	Y40206-42	.5625-18	9.5	45.5	17.5	25.4	22.6	63.0
8	Y40208-42	.7500-16	11.1	56.4	22.2	30.5	28.1	107.0
10	Y40210-42	.8750-14	13.1	73.7	25.4	35.7	32.5	171.5
12	Y40212-42	1.0625-12	14.3	79.6	31.8	42.8	35.7	262.0



TITEFLEX R154 (370 SERIES) FLARELESS (NAS) FITTINGS

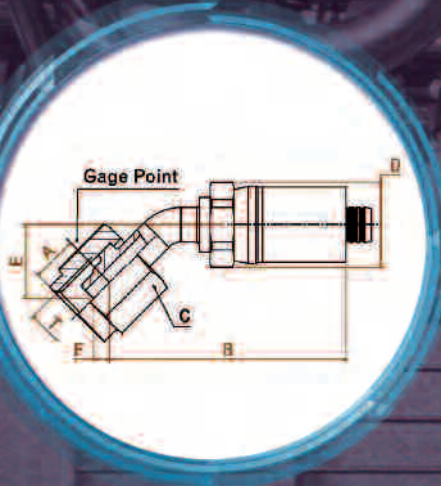
ENGLISH - INCHES

STRAIGHT FLARELESS FITTINGS - MATES WITH AS33514/AS33515 & AS4375/AS4377



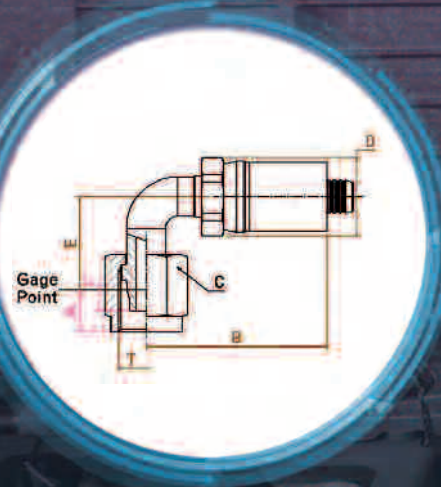
HOSE SIZE	PART NUMBER	NUT THREAD SIZE (T)	NUT ENGAGEMENT LENGTH (A)	REACH MAX (B)	NUT SIZE (C)	COLLAR HEX SIZE (D)	DROP (E)	GAGE POINT (F)	WEIGHT (LB) CRES
4	Y40404-64	.4375-20	0.320	1.430	0.562	0.620	NA	0.155	0.1
6	Y40406-64	.5625-18	0.327	1.510	0.688	0.820	NA	0.164	0.1
8	Y40408-64	.7500-16	0.368	1.890	0.875	0.930	NA	0.189	0.2
10	Y40410-64	.8750-14	0.396	2.370	1.000	1.180	NA	0.201	0.3
12	Y40412-64	1.0625-12	0.421	2.435	1.250	1.500	NA	0.228	0.5
16	Y40416-64	1.3125-12	0.425	2.780	1.500	1.710	NA	0.297	0.8
20	Y40420-64	1.6250-12	0.452	3.315	1.812	2.200	NA	0.300	1.4

45° ELBOW FLARELESS FITTINGS - MATES WITH AS33514/AS33515 & AS4375/AS4377



HOSE SIZE	PART NUMBER	NUT THREAD SIZE (T)	NUT ENGAGEMENT LENGTH (A)	REACH MAX (B)	NUT SIZE (C)	COLLAR HEX SIZE (D)	DROP (E)	GAGE POINT (F)	WEIGHT (LB) CRES
4	Y40504-64	.4375-20	0.320	2.060	0.562	0.620	0.418	0.110	0.1
6	Y40506-64	.5625-18	0.327	2.300	0.688	0.820	0.544	0.116	0.1
8	Y40508-64	.7500-16	0.368	2.715	0.875	0.930	0.601	0.134	0.2
10	Y40510-64	.8750-14	0.396	3.340	1.000	1.180	0.736	0.142	0.8
12	Y40512-64	1.0625-12	0.421	3.600	1.250	1.500	0.735	0.161	0.6

90° ELBOW FLARELESS FITTINGS - MATES WITH AS33514/AS33515 & AS4375/AS4377



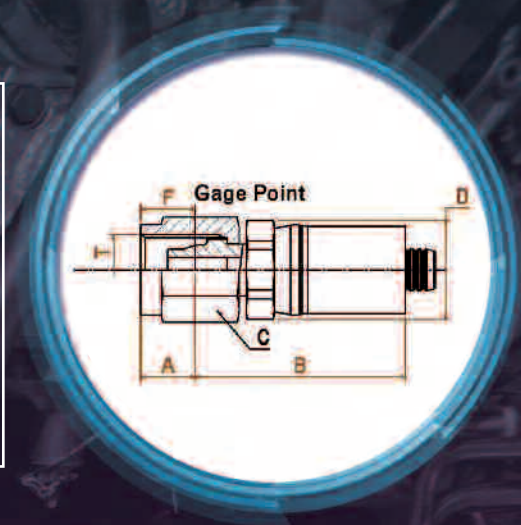
HOSE SIZE	PART NUMBER	NUT THREAD SIZE (T)	NUT ENGAGEMENT LENGTH (A)	REACH MAX (B)	NUT SIZE (C)	COLLAR HEX SIZE (D)	DROP (E)	GAGE POINT (F)	WEIGHT (LB) CRES
4	Y40604-64	.4375-20	0.320	1.765	0.562	0.620	0.744	0.155	0.1
6	Y40606-64	.5625-18	0.327	2.005	0.688	0.820	0.995	0.164	0.1
8	Y40608-64	.7500-16	0.368	2.410	0.875	0.930	1.148	0.189	0.2
10	Y40610-64	.8750-14	0.396	3.010	1.000	1.180	1.411	0.201	0.4
12	Y40612-64	1.0625-12	0.421	3.325	1.250	1.500	1.485	0.228	0.6

TITEFLEX R154 (370 SERIES) FLARELESS (NAS) FITTINGS

METRIC - MILLIMETERS

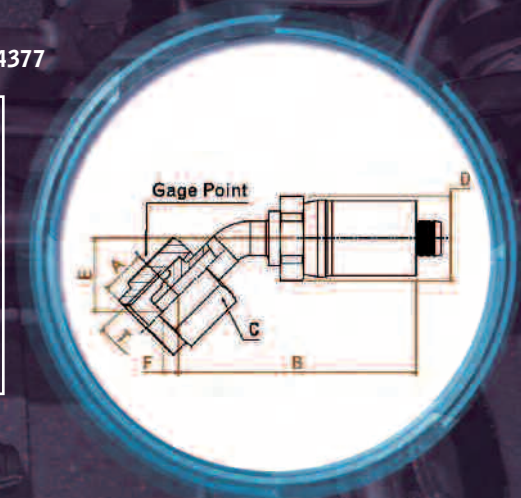
STRAIGHT FLARED FITTINGS - MATES WITH AS33656/AS4395 & AS33657/AS4396

HOSE SIZE	PART NUMBER	NUT THREAD SIZE (T)	NUT ENGAGEMENT LENGTH (A)	REACH MAX (B)	NUT SIZE (C)	COLLAR HEX SIZE (D)	DROP (E)	GAGE POINT (F)	WEIGHT (GRAMS) CRES
4	Y40404-64	7/16-20	8.1	36.3	14.3	15.7	NA	3.94	34.5
6	Y40406-64	9/16-18	8.3	38.4	17.5	20.8	NA	4.17	53.0
8	Y40408-64	3/4-16	9.3	48.0	22.2	23.6	NA	4.80	81.5
10	Y40410-64	7/8-14	10.1	60.2	25.4	30.0	NA	5.11	152.0
12	Y40412-64	1-1/16-12	10.7	61.8	31.8	38.1	NA	5.79	238.0
16	Y40416-64	1-5/16-12	10.8	70.6	38.1	43.4	NA	7.54	364.0
20	Y40420-64	1-5/8-12	11.5	84.2	46.0	55.9	NA	7.62	650.0



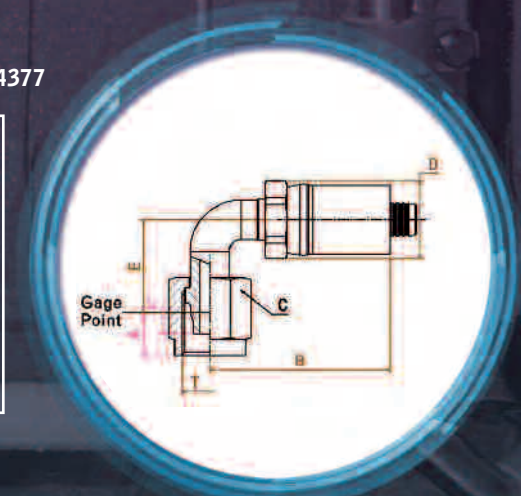
45° ELBOW FLARELESS FITTINGS - MATES WITH AS33514/AS33515 & AS4375/AS4377

HOSE SIZE	PART NUMBER	NUT THREAD SIZE (T)	NUT ENGAGEMENT LENGTH (A)	REACH MAX (B)	NUT SIZE (C)	COLLAR HEX SIZE (D)	DROP (E)	GAGE POINT (F)	WEIGHT (GRAMS) CRES
4	Y40504-64	7/16-20	8.1	52.3	14.3	15.7	10.6	2.79	36.5
6	Y40506-64	9/16-18	8.3	58.4	17.5	20.8	13.8	2.95	59.0
8	Y40508-64	3/4-16	9.3	69.0	22.2	23.6	15.3	3.40	104.0
10	Y40510-64	7/8-14	10.1	84.8	25.4	30.0	18.7	3.61	170.0
12	Y40512-64	1-1/16-12	10.7	91.4	31.8	38.1	18.7	4.09	270.0



90° ELBOW FLARELESS FITTINGS - MATES WITH AS33514/AS33515 & AS4375/AS4377

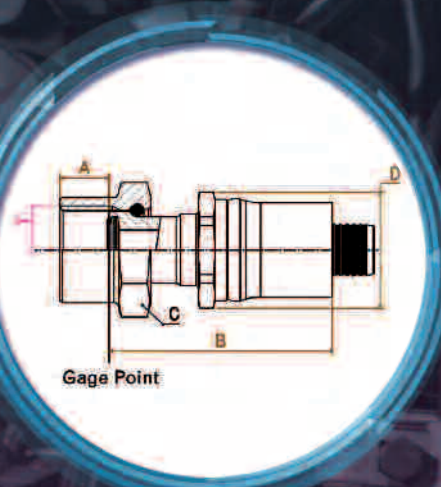
HOSE SIZE	PART NUMBER	NUT THREAD SIZE (T)	NUT ENGAGEMENT LENGTH (A)	REACH MAX (B)	NUT SIZE (C)	COLLAR HEX SIZE (D)	DROP (E)	GAGE POINT (F)	WEIGHT (GRAMS) CRES
4	Y40604-64	7/16-20	8.1	44.8	14.3	15.7	18.9	3.94	37.0
6	Y40606-64	9/16-18	8.3	50.9	17.5	20.8	25.3	4.17	61.5
8	Y40608-64	3/4-16	9.3	61.2	22.2	23.6	29.2	4.80	109.0
10	Y40610-64	7/8-14	10.1	76.5	25.4	30.0	35.8	5.11	178.0
12	Y40612-64	1-1/16-12	10.7	84.5	31.8	38.1	37.7	5.79	282.0



TITEFLEX R154 (370 SERIES) DUALSEAL FITTINGS

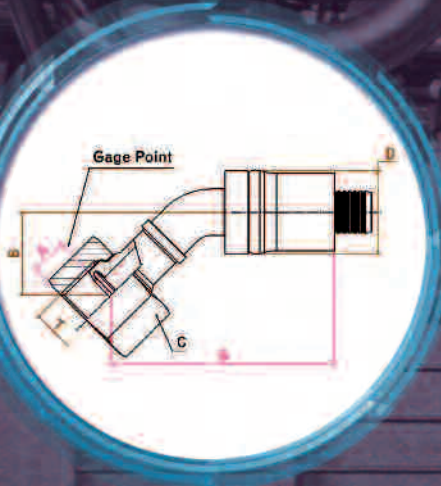
ENGLISH - INCHES

STRAIGHT DUALSEAL FITTINGS - MATES WITH MIL-F-85421/1 & /2 & AS4207



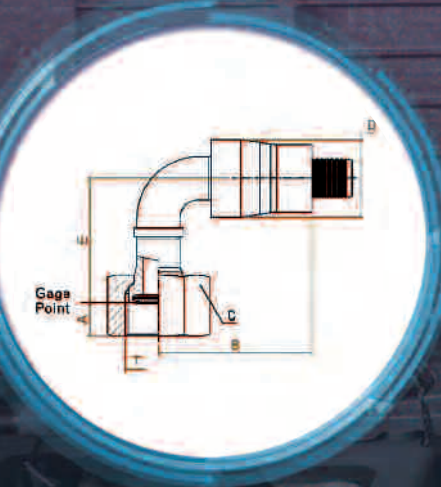
HOSE SIZE	PART NUMBER	NUT THREAD SIZE (T)	NUT ENGAGEMENT LENGTH (A)	REACH MAX (B)	NUT SIZE (C)	COLLAR HEX SIZE (D)	DROP (E)	WEIGHT (LB) CRES
4	Y43004-42	7/16-24	0.215	1.400	0.562	0.875	NA	0.1
6	Y43006-42	9/16-20	0.235	1.400	0.688	1.000	NA	0.1
8	Y43008-42	23/32-20	0.248	1.670	0.875	1.200	NA	0.2
10	Y43010-42	27/32-18	0.312	2.085	1.000	1.406	NA	0.2
12	Y43012-42	1-16	0.352	2.160	1.125	1.687	NA	0.3
16	Y43016-42	1-1/4-14	0.380	2.470	1.500	2.000	NA	0.6
20	Y43020-42	1-37/64-14	0.395	2.995	1.875	2.125	NA	1.3

45° ELBOW DUALSEAL FITTINGS - MATES WITH MIL-F-85421/1 & /2 & AS4207



HOSE SIZE	PART NUMBER	NUT THREAD SIZE (T)	NUT ENGAGEMENT LENGTH (A)	REACH MAX (B)	NUT SIZE (C)	COLLAR HEX SIZE (D)	DROP (E)	WEIGHT (LB) CRES
4	Y43104-42	7/16-24	0.215	2.200	0.562	0.875	0.480	0.1
6	Y43106-42	9/16-20	0.235	2.325	0.688	1.000	0.570	0.2
8	Y43108-42	23/32-20	0.248	2.765	0.875	1.200	0.645	0.2
10	Y43110-42	27/32-18	0.312	3.230	1.000	1.406	0.736	0.2
12	Y43112-42	1-16	0.352	3.475	1.125	1.687	0.788	0.4

90° ELBOW DUALSEAL FITTINGS - MATES WITH MIL-F-85421/1 & /2 & AS4207



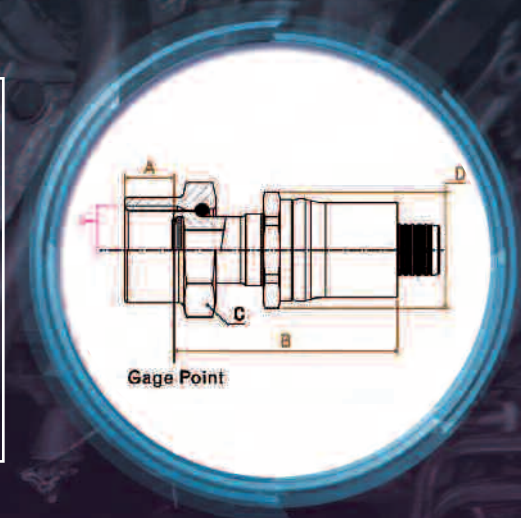
HOSE SIZE	PART NUMBER	NUT THREAD SIZE (T)	NUT ENGAGEMENT LENGTH (A)	REACH MAX (B)	NUT SIZE (C)	COLLAR HEX SIZE (D)	DROP (E)	WEIGHT (LB) CRES
4	Y43204-42	7/16-24	0.215	2.015	0.562	0.875	0.825	0.1
6	Y43206-42	9/16-20	0.235	1.970	0.688	1.000	1.031	0.1
8	Y43208-42	23/32-20	0.248	2.405	0.875	1.200	1.210	0.2
10	Y43210-42	27/32-18	0.312	2.855	1.000	1.406	1.414	0.2
12	Y43212-42	1-16	0.352	3.120	1.125	1.687	1.560	0.4

TITEFLEX R154 (370 SERIES) DUALSEAL FITTINGS

METRIC - MILLIMETERS

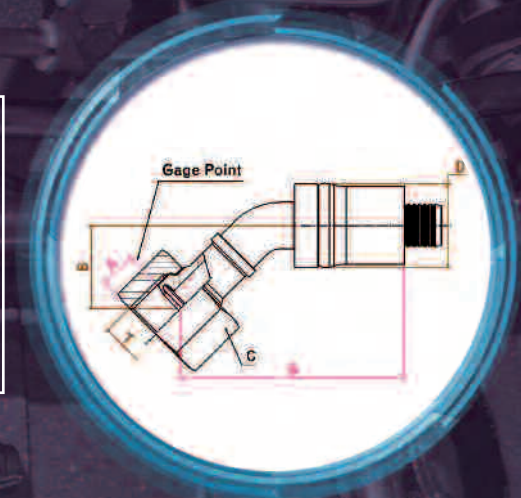
STRAIGHT DUALSEAL FITTINGS - MATES WITH MIL-F-85421/1 & /2 & AS4207

HOSE SIZE	PART NUMBER	NUT THREAD SIZE (T)	NUT ENGAGEMENT LENGTH (A)	REACH MAX (B)	NUT SIZE (C)	COLLAR HEX SIZE (D)	DROP (E)	WEIGHT (GRAMS) CRES
4	Y43004-42	7/16-24	5.5	35.6	14.3	22.2	NA	32.0
6	Y43006-42	9/16-20	6.0	35.6	17.5	25.4	NA	50.0
8	Y43008-42	23/32-20	6.3	42.4	22.2	30.5	NA	77.0
10	Y43010-42	27/32-20	7.9	53.0	25.4	35.7	NA	86.0
12	Y43012-42	1-16	8.9	54.9	28.6	42.8	NA	145.0
16	Y43016-42	1-1/4-14	9.7	62.7	38.1	50.8	NA	259.0
20	Y43020-42	1-3/4-14	10.0	76.1	47.6	54.0	NA	567.0



45° ELBOW DUALSEAL FITTINGS - MATES WITH MIL-F-85421/1 & /2 & AS4207

HOSE SIZE	PART NUMBER	NUT THREAD SIZE (T)	NUT ENGAGEMENT LENGTH (A)	REACH MAX (B)	NUT SIZE (C)	COLLAR HEX SIZE (D)	DROP (E)	WEIGHT (GRAMS) CRES
4	Y43104-42	7/16-24	5.5	55.9	14.3	22.2	12.2	32.0
6	Y43106-42	9/16-20	6.0	59.1	17.5	25.4	14.5	86.0
8	Y43108-42	23/32-20	6.3	70.2	22.2	30.5	16.4	91.0
10	Y43110-42	27/32-18	7.9	82.0	25.4	35.7	18.7	100.0
12	Y43112-42	1-16	8.9	88.3	28.6	42.8	20.0	186.0



90° ELBOW DUALSEAL FITTINGS - MATES WITH MIL-F-85421/1 & /2 & AS4207

HOSE SIZE	PART NUMBER	NUT THREAD SIZE (T)	NUT ENGAGEMENT LENGTH (A)	REACH MAX (B)	NUT SIZE (C)	COLLAR HEX SIZE (D)	DROP (E)	WEIGHT (GRAMS) CRES
4	Y43204-42	7/16-24	5.5	51.2	14.3	22.2	21.0	32.0
6	Y43206-42	9/16-20	6.0	50.0	17.5	25.4	26.2	59.0
8	Y43208-42	23/32-20	6.3	61.1	22.2	30.5	30.7	95.0
10	Y43210-42	27/32-18	7.9	72.5	25.4	35.7	35.9	104.0
12	Y43212-42	1-16	8.9	79.2	28.6	42.8	39.6	191.0

