

TITEFLEX R367 (480 SERIES)

SERIES: 480

SPECIFICATION: SAE AS620

BRAID: CRES

INNERCORE: PTFE Convoluted

QUALIFICATIONS: SAE AS620,
TSO C53a Type A,
TSO C53a Type C, TSO C75 Type IIA-S/P, TSO C75 Type IIA-S/P-F
AS1055 Type Ila & I Ib, Class A & B,
Integral and Slip-on Firesleeve (RM and TF0172)

R367 (480 SERIES):

R367 (480 series) is a medium pressure aerospace hose assembly qualified to AS620. It consists of a helically convoluted (tape wrap) PTFE innercore, reinforced with a CRES 304 wire braid. The convoluted innercore enables the 480 Series to bend to a tighter radius, with less force, than smooth bore PTFE hose of similar diameter. Operating pressures range from 1000 PSI (69 Bar) in small diameters, to 250 PSI (17 Bar) in the largest diameter. PTFE provides excellent chemical resistance over a temperature range of -65°F to +400°F (-54°C to +204°C) with an unlimited shelf life. Fire protection per AS1055 Class A & B can be either integral or slip-on AS1072 firesleeve. Qualified standard fittings are CRES. Chafe sleeves are available in a variety of integral or slip-on materials. Hybrid assemblies combining flex hose with multi-bend tube are a Titeflex specialty and provide improved vibration dampening, ease of installation and maintenance over strictly rigid tube.



Hose size 8 depicted (Not to scale). Actual hose construction varies by size.

ENGLISH

HOSE SIZE	OPERATING PRESSURE	HOSE ID (MIN)	HOSE OD (MIN)	HOSE OD (MAX)	BRAIDED HOSE WT/1/	BEND RADIUS (MIN) /2/	PROOF PRESSURE	NEGATIVE PRESSURE	ROOM TEMP BURST (MIN)	HIGH TEMP BURST (MIN)
	psi	in	in	in	lb/in	in	psi	in HG	psi	psi
06	1,000	0.355	0.523	0.587	0.01	2.25	2,000	28	4,000	2,800
08	1,000	0.510	0.723	0.787	0.018	2.88	2,000	28	4,000	2,800
10	1,000	0.6	0.85	.882	0.02	3	1,800	28	3,600	2,500
12	1,000	0.765	1.06	1.092	0.027	3.75	1,800	28	3,600	2,500
16	1,000	0.980	1.266	1.330	0.035	5	1,800	23	3,600	2,500
20	1,000	1.220	1.7	1.558	0.04	6.25	1,800	18	3,600	2,500
24	750	1.48	1.758	1.822	0.05	7.5	1,500	12	3,000	2,100
*32	250	1.985	2.285	2.845	0.09	10	500	5	1,000	700

NOTES:

/1/ Over minimum 12 inch length

/2/ Inside of bend

*Size -32 only available in 410 Series



TITFLEX R367 (480 SERIES)

METRIC

HOSE SIZE	OPERATING PRESSURE	HOSE ID (MIN)	HOSE OD (MIN)	HOSE OD (MAX)	BRAIDED HOSE WT/1/	BEND RADIUS (MIN) /2/	PROOF PRESSURE	NEGATIVE PRESSURE	ROOM TEMP BURST (MIN)	HIGH TEMP BURST (MIN)
	bar	mm	mm	mm	g/m	mm	bar	mm HG	bar	bar
06	69	6	13.3	14.9	179	57.2	138	711	276	193
08	69	13	18.4	20	321	73.2	138	711	276	193
10	69	15.2	21.6	22	357	76.2	124	711	248	172
12	69	19.4	26.9	27	482	95.3	124	711	248	172
16	69	24.9	32.2	33.8	625	127	124	584	248	172
20	69	31	43.2	43	714	158.8	124	457	248	172
24	52	37.6	44.7	46.3	893	190.5	103	305	207	145
*32	17	50.4	58	72.3	1607	254	34	127	69	48

NOTES:

/1/ Over minimum 305 mm length

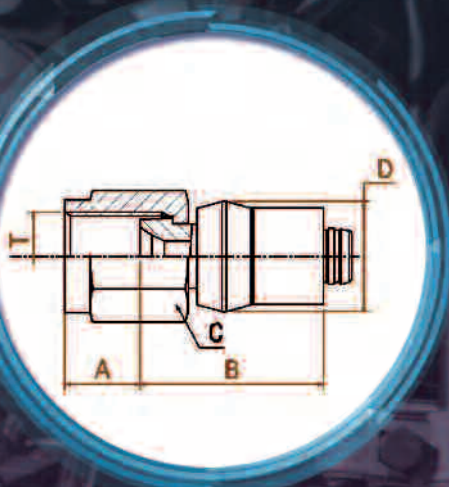
/2/ Inside of bend

*Size -32 only available in 410 Series

TITEFLEX R367 (480 SERIES) FLARED (JIC) FITTINGS

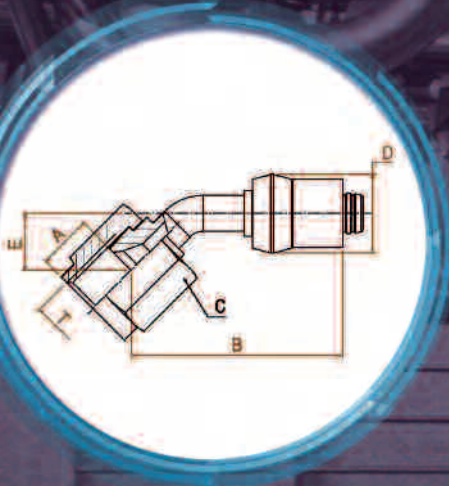
ENGLISH - INCHES

STRAIGHT FLARED FITTINGS - MATES WITH AS33656 / AS4395 AND AS33657 / AS4396



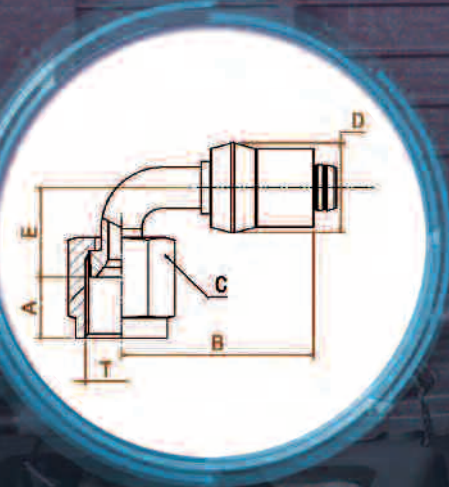
HOSE SIZE	PART NUMBER	NUT THREAD SIZE (T)	NUT ENGAGEMENT LENGTH (A)	REACH MAX (B)	NUT SIZE (C)	COLLAR HEX SIZE (D)	DROP (E)	WEIGHT (LB) CRES
6	Y40006-83	9/16-18	0.375	1.280	0.688	0.680	NA	0.1
8	Y40008-83	3/4-16	0.438	1.440	0.875	0.860	NA	0.2
10	Y40010-83	7/8-14	0.515	1.580	1.000	0.950	NA	0.3
12	Y40012-83	1-1/16-12	0.562	1.740	1.250	1.280	NA	0.3
16	Y40016-83	1-5/16-12	0.620	1.790	1.500	1.470	NA	0.5
20	Y40020-83	1-5/8-12	0.620	2.290	1.812	1.700	NA	0.9
24	Y40024-83	1-7/8-12	0.765	2.380	2.125	2.000	NA	1.3
*32	Y40032-25	2-1/2-12	0.937	2.970	2.750	2.560	NA	2.0

45° ELBOW FLARED FITTINGS - MATES WITH AS33656 / AS4395 AND AS33657 / AS4396



HOSE SIZE	PART NUMBER	NUT THREAD SIZE (T)	NUT ENGAGEMENT LENGTH (A)	REACH MAX (B)	NUT SIZE (C)	COLLAR HEX SIZE (D)	DROP (E)	WEIGHT (LB) CRES
6	Y40106-83	9/16-18	0.375	1.860	0.688	0.680	0.471	0.1
8	Y40108-83	3/4-16	0.438	2.180	0.875	0.860	0.572	0.2
10	Y40110-83	7/8-14	0.515	2.420	1.000	0.950	0.643	0.2
12	Y40112-83	1-1/16-12	0.562	2.770	1.250	1.280	0.680	0.4
16	Y40116-83	1-5/16-12	0.620	3.050	1.500	1.470	0.790	0.6
20	Y40120-83	1-5/8-12	0.620	3.680	1.812	1.700	1.929	1.0
24	Y40124-83	1-7/8-12	0.765	3.950	2.125	2.000	1.051	1.3
*32	Y40132-25	2-1/2-12	0.937	4.845	2.750	2.560	1.314	2.3

90° ELBOW FLARED FITTINGS - MATES WITH AS33656 / AS4395 AND AS33657 / AS4396



HOSE SIZE	PART NUMBER	NUT THREAD SIZE (T)	NUT ENGAGEMENT LENGTH (A)	REACH MAX (B)	NUT SIZE (C)	COLLAR HEX SIZE (D)	DROP (E)	WEIGHT (LB) CRES
6	Y40206-83	9/16-18	0.375	1.560	0.688	0.680	0.890	0.1
8	Y40208-83	3/4-16	0.438	1.850	0.875	0.860	1.107	0.2
10	Y40210-83	7/8-14	0.515	2.190	1.000	0.950	1.281	0.3
12	Y40212-83	1-1/16-12	0.562	2.670	1.250	1.280	1.405	0.4
16	Y40216-83	1-5/16-12	0.620	2.870	1.500	1.470	1.708	0.7
20	Y40220-83	1-5/8-12	0.620	3.390	1.812	1.700	2.050	1.0
24	Y40224-83	1-7/8-12	0.765	3.650	2.125	2.000	2.370	1.4
*32	Y40232-25	2-1/2-12	0.937	4.690	2.750	2.560	3.033	2.4

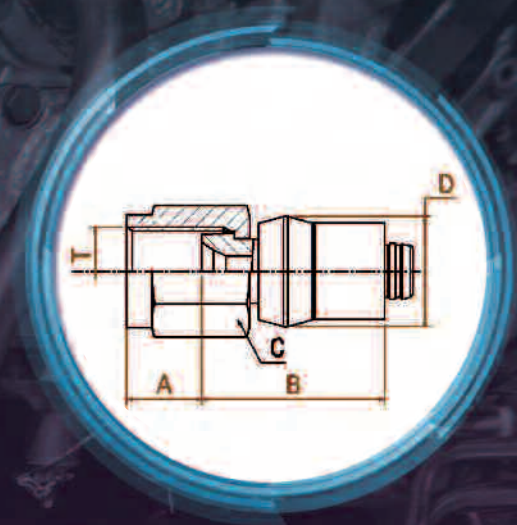
*Size -32 only available in 410 Series

TITEFLEX R367 (480 SERIES) FLARED (JIC) FITTINGS

METRIC - MILLIMETERS

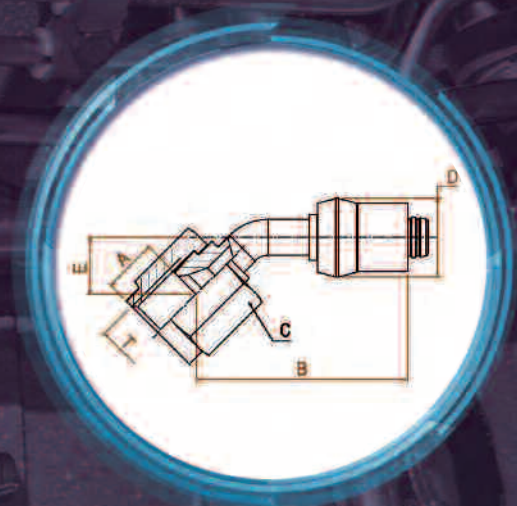
STRAIGHT FLARED FITTINGS - MATES WITH AS33656 / AS4395 AND AS33657 / AS4396

HOSE SIZE	PART NUMBER	NUT THREAD SIZE (T)	NUT ENGAGEMENT LENGTH (A)	REACH MAX (B)	NUT SIZE (C)	COLLAR HEX SIZE (D)	DROP (E)	WEIGHT (GRAMS) CRES
6	Y40006-83	9/16-18	9.5	32.5	17.5	17.3	NA	45.0
8	Y40008-83	3/4-16	11.1	36.6	22.2	21.8	NA	73.0
10	Y40010-83	7/8-14	13.1	40.1	25.4	24.1	NA	114.0
12	Y40012-83	1-1/16-12	14.3	44.2	31.8	32.5	NA	155.0
16	Y40016-83	1-5/16-12	15.7	45.5	38.1	37.3	NA	222.0
20	Y40020-83	1-5/8-12	15.7	58.2	46.0	43.2	NA	407.0
24	Y40024-83	1-7/8-12	19.4	60.5	54.0	50.8	NA	580.0
*32	Y40032-25	2-1/2-12	0.937	2.970	2.750	2.560	NA	906.0



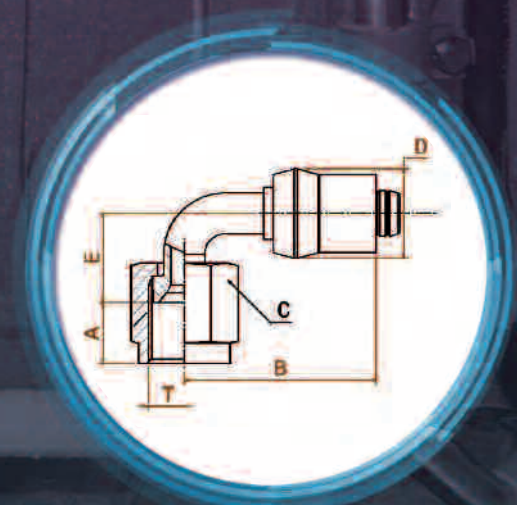
45° ELBOW FLARED FITTINGS - MATES WITH AS33656 / AS4395 AND AS33657 / AS4396

HOSE SIZE	PART NUMBER	NUT THREAD SIZE (T)	NUT ENGAGEMENT LENGTH (A)	REACH MAX (B)	NUT SIZE (C)	COLLAR HEX SIZE (D)	DROP (E)	WEIGHT (GRAMS) CRES
6	Y40106-83	9/16-18	9.5	47.2	17.5	17.3	12.0	45.5
8	Y40108-83	3/4-16	11.1	55.4	22.2	21.8	14.5	80.0
10	Y40110-83	7/8-14	13.1	61.5	25.4	24.1	16.3	104.3
12	Y40112-83	1-1/16-12	14.3	70.4	31.8	32.5	17.3	180.0
16	Y40116-83	1-5/16-12	15.7	77.5	38.1	37.3	20.1	272.0
20	Y40120-83	1-5/8-12	15.7	93.5	46.0	43.2	23.6	435.0
24	Y40124-83	1-7/8-12	19.4	100.3	54.0	50.8	26.7	604.0
*32	Y40132-25	2-1/2-12	0.937	4.845	2.750	2.560	1.314	1046.0



90° ELBOW FLARED FITTINGS - MATES WITH AS33656 / AS4395 AND AS33657 / AS4396

HOSE SIZE	PART NUMBER	NUT THREAD SIZE (T)	NUT ENGAGEMENT LENGTH (A)	REACH MAX (B)	NUT SIZE (C)	COLLAR HEX SIZE (D)	DROP (E)	WEIGHT (GRAMS) CRES
6	Y40206-83	9/16-18	9.5	39.6	17.5	17.3	22.6	54.4
8	Y40208-83	3/4-16	11.1	47.0	22.2	21.8	28.1	85.0
10	Y40210-83	7/8-14	13.1	55.6	25.4	24.1	32.5	134.0
12	Y40212-83	1-1/16-12	14.3	67.8	31.8	32.5	35.7	190.0
16	Y40216-83	1-5/16-12	15.7	72.9	38.1	37.3	43.4	298.0
20	Y40220-83	1-5/8-12	15.7	86.1	46.0	43.2	52.1	453.0
24	Y40224-83	1-7/8-12	19.4	92.7	54.0	50.8	60.2	639.6
*32	Y40232-25	2-1/2-12	0.937	4.690	2.750	2.560	3.033	1107.0

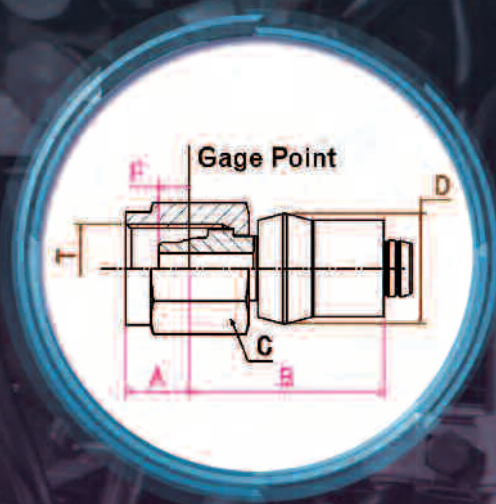


*Size -32 only available in 410 Series

TITFLEX R367 (480 SERIES) FLARELESS (NAS) FITTINGS

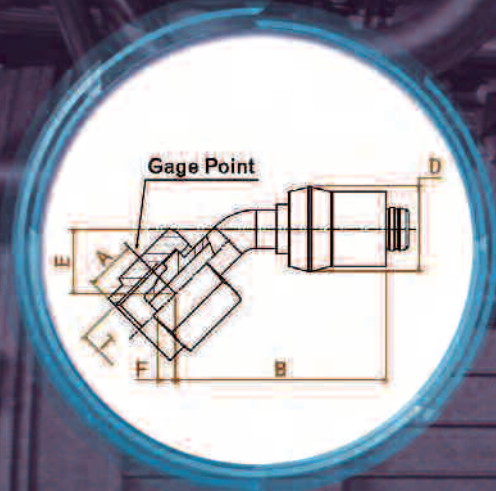
ENGLISH - INCHES

STRAIGHT FLARELESS FITTINGS - MATES WITH AS33514 / AS33515 AND AS4375 /AS4377



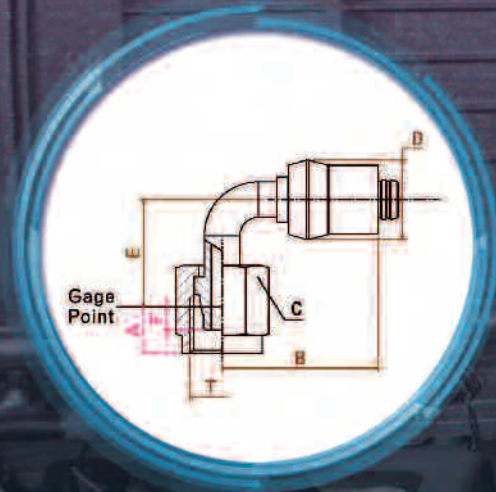
HOSE SIZE	PART NUMBER	NUT THREAD SIZE (T)	NUT ENGAGEMENT LENGTH (A)	REACH MAX (B)	NUT SIZE (C)	COLLAR HEX SIZE (D)	DROP (E)	GAGE POINT (F)	WEIGHT (LB) CRES
6	Y40406-83	9/16-18	0.326	1.340	0.688	0.680	NA	0.164	0.1
8	Y40408-83	3/4-16	0.368	1.520	0.875	0.860	NA	0.189	0.2
10	Y40410-83	7/8-14	0.396	1.710	1.000	0.950	NA	0.201	0.3
12	Y40412-83	1-1/16-12	0.421	1.890	1.250	1.280	NA	0.228	0.4
16	Y40416-83	1-5/16-12	0.425	2.000	1.500	1.470	NA	0.297	0.6
20	Y40420-83	1-5/8-12	0.452	2.530	1.812	1.700	NA	0.300	1.0
24	Y40424-83	1-7/8-12	0.447	2.690	2.125	2.000	NA	0.365	1.5
*32	Y40432-30	2-1/2-12	0.312	3.260	2.750	*	NA	0.370	*

45° ELBOW FLARELESS FITTINGS - MATES WITH AS33514 / AS33515 AND AS4375 /AS4377



HOSE SIZE	PART NUMBER	NUT THREAD SIZE (T)	NUT ENGAGEMENT LENGTH (A)	REACH MAX (B)	NUT SIZE (C)	COLLAR HEX SIZE (D)	DROP (E)	GAGE POINT (F)	WEIGHT (LB) CRES
6	Y40506-83	9/16-18	0.326	1.930	0.688	0.680	0.544	0.116	0.1
8	Y40508-83	3/4-16	0.368	2.160	0.875	0.860	0.602	0.134	0.2
10	Y40510-83	7/8-14	0.396	2.550	1.000	0.950	0.735	0.142	0.3
12	Y40512-83	1-1/16-12	0.421	2.870	1.250	1.280	0.735	0.161	0.4
16	Y40516-83	1-5/16-12	0.425	3.190	1.500	1.470	0.936	0.210	0.7
20	Y40520-83	1-5/8-12	0.452	4.020	1.812	1.700	1.056	0.210	1.0
24	Y40524-83	1-7/8-12	0.447	4.570	2.125	2.000	1.276	0.258	1.6

90° ELBOW FLARELESS FITTINGS - MATES WITH AS33514 / AS33515 AND AS4375 /AS4377



HOSE SIZE	PART NUMBER	NUT THREAD SIZE (T)	NUT ENGAGEMENT LENGTH (A)	REACH MAX (B)	NUT SIZE (C)	COLLAR HEX SIZE (D)	DROP (E)	GAGE POINT (F)	WEIGHT (LB) CRES
6	Y40606-83	9/16-18	0.326	1.630	0.688	0.680	0.995	0.164	0.1
8	Y40608-83	3/4-16	0.368	1.850	0.875	0.860	1.149	0.189	0.2
10	Y40610-83	7/8-14	0.396	2.200	1.000	0.950	1.411	0.201	0.3
12	Y40612-83	1-1/16-12	0.421	2.670	1.250	1.280	1.485	0.228	0.5
16	Y40616-83	1-5/16-12	0.425	3.030	1.500	1.470	1.915	0.297	0.7
20	Y40620-83	1-5/8-12	0.452	3.890	1.812	1.700	2.222	0.300	1.2
24	Y40624-83	1-7/8-12	0.447	4.150	2.125	2.000	2.690	0.365	1.7

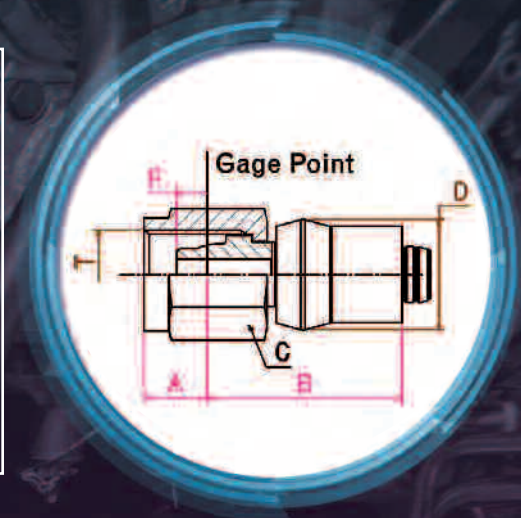
*Size -32 only available in 410 Series

TITEFLEX R367 (480 SERIES) FLARELESS (NAS) FITTINGS

METRIC - MILLIMETERS

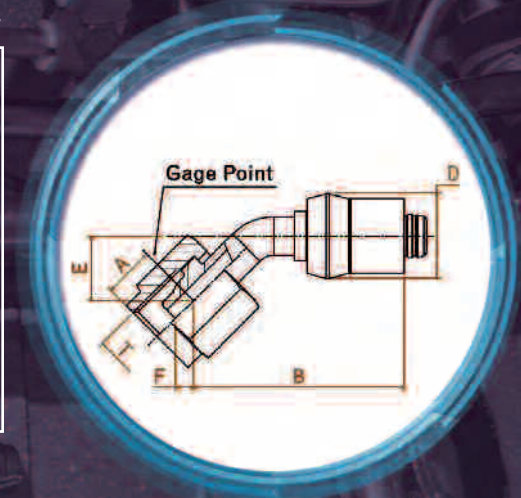
STRAIGHT FLARELESS FITTINGS - MATES WITH AS33514/AS33515 & AS4375/AS4377

HOSE SIZE	PART NUMBER	NUT THREAD SIZE (T)	NUT ENGAGEMENT LENGTH (A)	REACH MAX (B)	NUT SIZE (C)	COLLAR HEX SIZE (D)	DROP (E)	GAGE POINT (F)	WEIGHT (GRAMS) CRES
6	Y40406-83	9/16-18	9.5	32.5	17.5	17.3	NA	4.166	49.9
8	Y40408-83	3/4-16	11.1	36.6	22.2	21.8	NA	4.801	81.6
10	Y40410-83	7/8-14	13.1	40.1	25.4	24.1	NA	5.105	122.5
12	Y40412-83	1-1/16-12	14.3	44.2	31.8	32.5	NA	5.791	167.8
16	Y40416-83	1-5/16-12	15.7	45.5	38.1	37.3	NA	7.544	254.0
20	Y40420-83	1-5/8-12	15.7	58.2	46.0	43.2	NA	7.620	444.5
24	Y40424-83	1-7/8-12	19.4	60.5	54.0	50.8	NA	9.271	671.3
*32	Y40432-30	2-1/2-12	0.312	3.260	2.750	*	NA	0.370	*



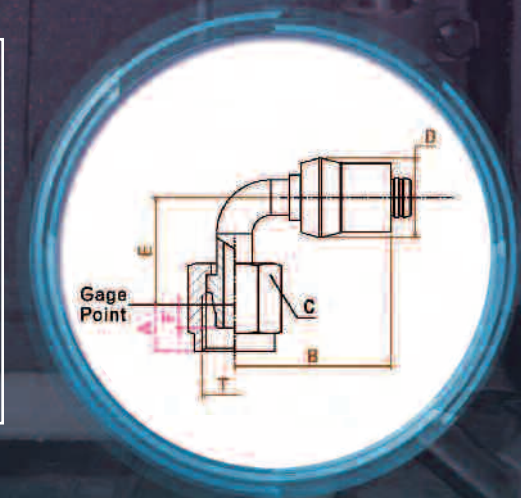
45° ELBOW FLARELESS FITTINGS - MATES WITH AS33514 / AS33515 AND AS4375 /AS4377

HOSE SIZE	PART NUMBER	NUT THREAD SIZE (T)	NUT ENGAGEMENT LENGTH (A)	REACH MAX (B)	NUT SIZE (C)	COLLAR HEX SIZE (D)	DROP (E)	GAGE POINT (F)	WEIGHT (GRAMS) CRES
6	Y40506-83	9/16-18	8.3	49.0	17.5	17.3	13.8	2.946	49.9
8	Y40508-83	3/4-16	9.3	54.9	22.2	21.8	15.3	3.404	81.6
10	Y40510-83	7/8-14	10.1	64.8	25.4	24.1	18.7	3.607	131.5
12	Y40512-83	1-1/16-12	10.7	72.9	31.8	32.5	18.7	4.089	195.0
16	Y40516-83	1-5/16-12	10.8	81.0	38.1	37.3	23.8	5.334	294.8
20	Y40520-83	1-5/8-12	11.5	102.1	46.0	43.2	26.8	5.334	494.4
24	Y40524-83	1-7/8-12	11.4	116.1	54.0	50.8	32.4	6.553	739.4



90° ELBOW FLARELESS FITTINGS - MATES WITH AS33514 / AS33515 AND AS4375 /AS4377

HOSE SIZE	PART NUMBER	NUT THREAD SIZE (T)	NUT ENGAGEMENT LENGTH (A)	REACH MAX (B)	NUT SIZE (C)	COLLAR HEX SIZE (D)	DROP (E)	GAGE POINT (F)	WEIGHT (GRAMS) CRES
6	Y40606-83	9/16-18	8.3	41.4	17.5	17.3	25.3	4.166	54.5
8	Y40608-83	3/4-16	9.3	47.0	22.2	21.8	29.2	4.801	90.7
10	Y40610-83	7/8-14	10.1	55.9	25.4	24.1	35.8	5.105	140.6
12	Y40612-83	1-1/16-12	10.7	67.8	31.8	32.5	37.7	5.791	204.1
16	Y40616-83	1-5/16-12	10.8	77.0	38.1	37.3	48.6	7.544	335.7
20	Y40620-83	1-5/8-12	11.5	98.8	46.0	43.2	56.4	7.620	544.3
24	Y40624-83	1-7/8-12	11.4	105.4	54.0	50.8	68.3	9.271	789.3



*Size -32 only available in 410 Series