

**SERIES:** 220  
**SPECIFICATION:** SAE AS1975, Class 3000  
**BRAID:** Kevlar®  
**INNERCORE:** PTFE Smoothbore  
**QUALIFICATIONS:** SAE AS1975, Class 3000  
 TSO-C75 Type II-S/P  
 TSO-C75 Type IIB-S/P

## RA170 (220 SERIES):

RA170 (220 series) is a lightweight 3000psi (207 bar) non-metallic aerospace hose assembly qualified to AS1975. The hose consists of an extruded smoothbore conductive PTFE innercore, reinforced with Kevlar® para-aramid braid. PTFE provides excellent chemical resistance and unlimited shelf life. 220 series is ideal for weight-critical 3000 PSI (207 Bar) applications within the temperature range of -65° to +275°F (-54°C to +135°C). Fire protection is available per AS1055 Class A with slip-on AS1072 firesleeve. Hybrid assemblies combining flex hose with multi-bend tube are a Titeflex specialty and provide improved vibration dampening, ease of installation, and maintenance over strictly rigid tube.



Size 8 depicted (Not to scale). Actual construction varies by size.

### ENGLISH

HOSE SIZE	OPERATING PRESSURE	HOSE ID (MIN)	HOSE OD (MIN)	HOSE OD (MAX)	BRAIDED HOSE WT/1/	BEND RADIUS (MIN)/2/	PROOF PRESSURE	ROOM TEMP BURST (MIN)	HIGH TEMP BURST (MIN)
	psi	in	in	in	lb/in	in	psi	psi	psi
6	3,000	0.298	0.495	0.555	0.008	2.5	8,000	12,000	9,000
8	3,000	0.391	0.65	0.71	0.012	2.88	8,000	12,000	9,000
10	3,000	0.485	0.85	0.92	0.02	3.25	8,000	12,000	9,000

NOTES:  
 /1/ Over minimum 12 inch length  
 /2/ Inside of bend



TITFLEX RA170 (220 SERIES)

**METRIC**

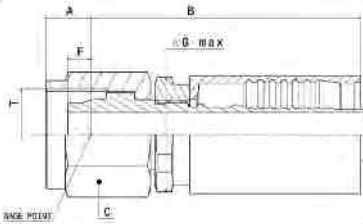
HOSE SIZE	OPERATING PRESSURE	HOSE ID (MIN)	HOSE OD (MIN)	HOSE OD (MAX)	BRAIDED HOSE WT/1/	BEND RADIUS (MIN) /2/	PROOF PRESSURE	ROOM TEMP BURST (MIN)	HIGH TEMP BURST (MIN)
	bar	mm	mm	mm	g/m	mm	bar	bar	bar
6	207	7.6	12.6	14.1	143	63.5	552	827	651
8	207	9.9	16.5	18	214	73.2	552	827	651
10	207	12.3	21.6	23.4	357	82.6	552	827	651

NOTES:  
 /1/ Over minimum 305 mm length  
 /2/ Inside of bend

# TITFLEX RA170 (220 SERIES) FLARELESS (NAS) FITTINGS

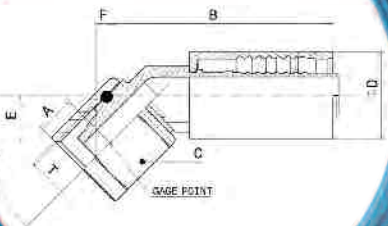
## ENGLISH - INCHES

### STRAIGHT FLARELESS FITTINGS - MATES WITH AS33514/AS33515 & AS4375/AS4377



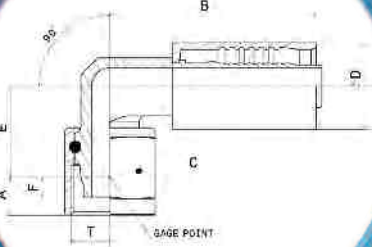
HOSE SIZE	PART NUMBER	NUT THREAD SIZE (T)	NUT ENGAGEMENT LENGTH (A)	REACH MAX (B)	NUT SIZE (C)	COLLAR HEX SIZE (D)	DROP (E)	GAGE POINT (F)	WEIGHT (LB) CRES
6	Y40406-18	9/16-18	0.326	1.835	0.688	0.800	NA	0.164	0.1
8	Y40408-18	3/4-16	0.368	2.165	0.875	0.970	NA	0.189	0.1
10	Y40410-18	7/8-14	0.396	2.905	1.000	1.150	NA	0.201	0.2

### 45° ELBOW FLARELESS FITTINGS - MATES WITH AS33514/AS33515 & AS4375/AS4377



HOSE SIZE	PART NUMBER	NUT THREAD SIZE (T)	NUT ENGAGEMENT LENGTH (A)	REACH MAX (B)	NUT SIZE (C)	COLLAR HEX SIZE (D)	DROP (E)	GAGE POINT (F)	WEIGHT (LB) CRES
6	Y40506-18	9/16-18	0.326	2.425	0.688	0.800	0.405	0.116	0.1
8	Y40508-18	3/4-16	0.368	2.735	0.875	0.970	0.465	0.134	0.2
10	Y40510-18	7/8-14	0.396	3.655	1.000	1.150	0.575	0.142	0.3

### 90° ELBOW FLARELESS FITTINGS - MATES WITH AS33514/AS33515 & AS4375/AS4377



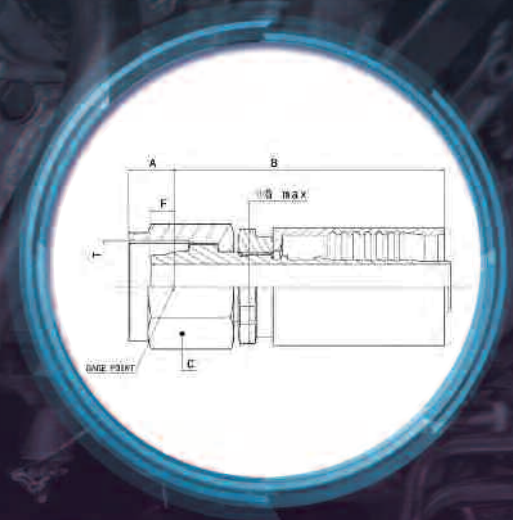
HOSE SIZE	PART NUMBER	NUT THREAD SIZE (T)	NUT ENGAGEMENT LENGTH (A)	REACH MAX (B)	NUT SIZE (C)	COLLAR HEX SIZE (D)	DROP (E)	GAGE POINT (F)	WEIGHT (LB) CRES
6	Y40606-18	9/16-18	0.326	2.150	0.688	0.800	0.745	0.164	0.1
8	Y40608-18	3/4-16	0.368	2.490	0.875	0.970	0.875	0.189	0.2
10	Y40610-18	7/8-14	0.396	3.375	1.000	1.150	1.115	0.201	0.3

# TITEFLEX RA170 (220 SERIES) FLARELESS (NAS) FITTINGS

## METRIC - MILLIMETERS

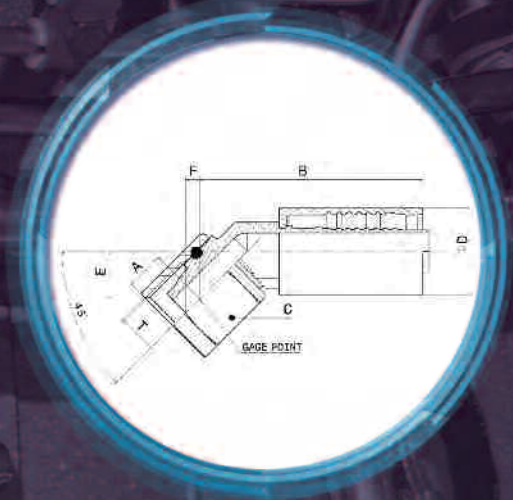
### STRAIGHT FLARELESS FITTINGS - MATES WITH AS33514/AS33515 & AS4375/AS4377

HOSE SIZE	PART NUMBER	NUT THREAD SIZE (T)	NUT ENGAGEMENT LENGTH (A)	REACH MAX (B)	NUT SIZE (C)	COLLAR HEX SIZE (D)	DROP (E)	GAGE POINT (F)	WEIGHT (GRAMS) CRES
6	Y40406-18	9/16-18	8.3	46.6	17.5	20.3	NA	4.17	38.0
8	Y40408-18	3/4-16	9.3	55.0	22.2	24.6	NA	4.80	61.0
10	Y40410-18	7/8-14	10.1	73.8	25.4	29.2	NA	5.11	111.0



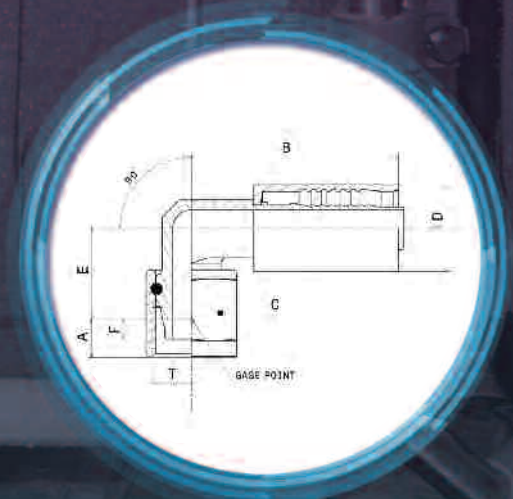
### 45° ELBOW FLARELESS FITTINGS - MATES WITH AS33514/AS33515 & AS4375/AS4377

HOSE SIZE	PART NUMBER	NUT THREAD SIZE (T)	NUT ENGAGEMENT LENGTH (A)	REACH MAX (B)	NUT SIZE (C)	COLLAR HEX SIZE (D)	DROP (E)	GAGE POINT (F)	WEIGHT (GRAMS) CRES
6	Y40506-18	9/16-18	8.3	61.6	17.5	20.3	10.3	2.95	43.5
8	Y40508-18	3/4-16	9.3	69.5	22.2	24.6	11.8	3.40	70.0
10	Y40510-18	7/8-14	10.1	92.8	25.4	29.2	14.6	3.61	129.0



### 90° ELBOW FLARELESS FITTINGS - MATES WITH AS33514/AS33515 & AS4375/AS4377

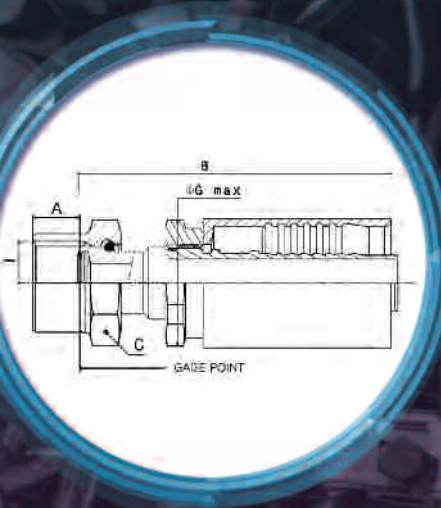
HOSE SIZE	PART NUMBER	NUT THREAD SIZE (T)	NUT ENGAGEMENT LENGTH (A)	REACH MAX (B)	NUT SIZE (C)	COLLAR HEX SIZE (D)	DROP (E)	GAGE POINT (F)	WEIGHT (GRAMS) CRES
6	Y40606-18	9/16-18	8.3	54.6	17.5	20.3	18.9	4.17	46.0
8	Y40608-18	3/4-16	9.3	63.2	22.2	24.6	22.2	4.80	75.0
10	Y40610-18	7/8-14	10.1	85.7	25.4	29.2	28.3	5.11	141.0



# TITEFLEX RA170 (220 SERIES) STRAIGHT DUALSEAL FITTINGS

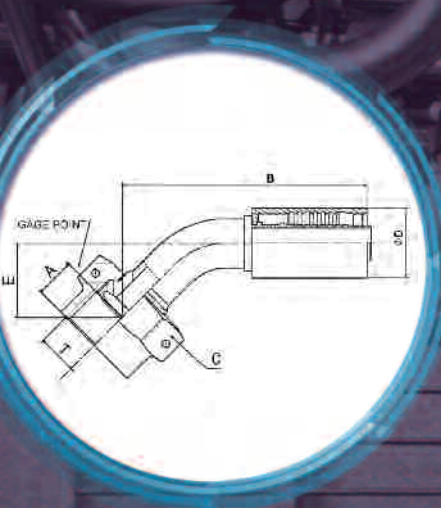
## ENGLISH - INCHES

### STRAIGHT DUALSEAL FITTINGS - MATES WITH MIL-F-85421/1 & /2 & AS4207



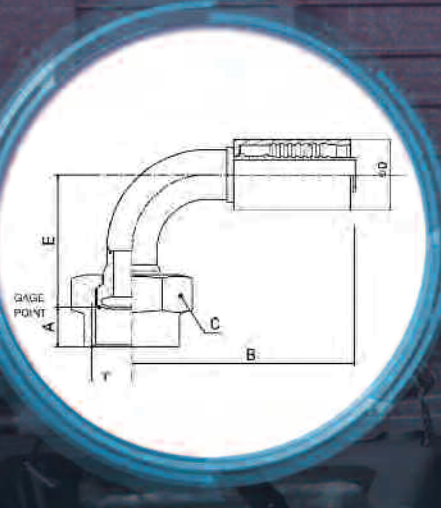
HOSE SIZE	PART NUMBER	NUT THREAD SIZE (T)	NUT ENGAGEMENT LENGTH (A)	REACH MAX (B)	NUT SIZE (C)	COLLAR HEX SIZE (D)	DROP (E)	WEIGHT (LB) CRES
6	Y43106-18	9/16-18	0.235	1.720	0.688	0.800	NA	0.1
8	Y43108-18	23/32-16	0.248	1.950	0.875	0.970	NA	0.1
10	Y43110-18	27/32-14	0.312	2.580	1.000	1.150	NA	0.2

### 45° ELBOW DUALSEAL FITTINGS - MATES WITH MIL-F-85421/1 & /2 & AS4207



HOSE SIZE	PART NUMBER	NUT THREAD SIZE (T)	NUT ENGAGEMENT LENGTH (A)	REACH MAX (B)	NUT SIZE (C)	COLLAR HEX SIZE (D)	DROP (E)	WEIGHT (LB) CRES
6	Y43206-18	9/16-18	0.235	2.355	0.688	0.800	0.333	0.1
8	Y43208-18	23/32-16	0.248	2.630	0.875	0.970	0.359	0.1
10	Y43210-18	27/32-14	0.312	3.490	1.000	1.150	0.409	0.2

### 90° ELBOW DUALSEAL FITTINGS - MATES WITH MIL-F-85421/1 & /2 & AS4207



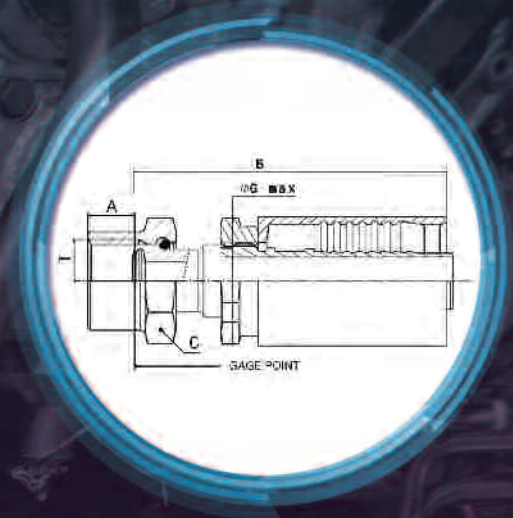
HOSE SIZE	PART NUMBER	NUT THREAD SIZE (T)	NUT ENGAGEMENT LENGTH (A)	REACH MAX (B)	NUT SIZE (C)	COLLAR HEX SIZE (D)	DROP (E)	WEIGHT (LB) CRES
6	Y43306-18	9/16-18	0.235	2.150	0.688	0.800	0.655	0.1
8	Y43308-18	23/32-16	0.248	2.490	0.875	0.970	0.738	0.1
10	Y43310-18	27/32-14	0.312	3.375	1.000	1.150	0.884	0.3

# TITEFLEX RA170 (220 SERIES) STRAIGHT DUALSEAL FITTINGS

## METRIC - MILLIMETERS

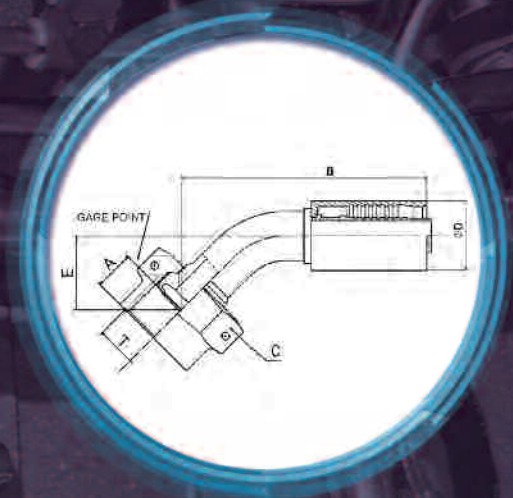
### STRAIGHT DUALSEAL FITTINGS - MATES WITH MIL-F-85421/1 & /2 & AS4207

HOSE SIZE	PART NUMBER	NUT THREAD SIZE (T)	NUT ENGAGEMENT LENGTH (A)	REACH MAX (B)	NUT SIZE (C)	COLLAR HEX SIZE (D)	DROP (E)	WEIGHT (GRAMS) CRES
6	Y43106-18	9/16-18	6.0	43.7	17.5	20.3	NA	32.0
8	Y43108-18	23/32-16	6.3	49.5	22.2	24.6	NA	50.0
10	Y43110-18	27/32-14	7.9	65.5	25.4	29.2	NA	92.0



### 45° ELBOW DUALSEAL FITTINGS - MATES WITH MIL-F-85421/1 & /2 & AS4207

HOSE SIZE	PART NUMBER	NUT THREAD SIZE (T)	NUT ENGAGEMENT LENGTH (A)	REACH MAX (B)	NUT SIZE (C)	COLLAR HEX SIZE (D)	DROP (E)	WEIGHT (GRAMS) CRES
6	Y43206-18	9/16-18	6.0	59.8	17.5	20.3	8.5	39.0
8	Y43208-18	23/32-16	6.3	66.8	22.2	24.6	9.1	59.0
10	Y43210-18	27/32-14	7.9	88.6	25.4	29.2	10.4	110.0



### 90° ELBOW DUALSEAL FITTINGS - MATES WITH MIL-F-85421/1 & /2 & AS4207

HOSE SIZE	PART NUMBER	NUT THREAD SIZE (T)	NUT ENGAGEMENT LENGTH (A)	REACH MAX (B)	NUT SIZE (C)	COLLAR HEX SIZE (D)	DROP (E)	WEIGHT (GRAMS) CRES
6	Y43306-18	9/16-18	6.0	54.6	17.5	20.3	16.6	41.0
8	Y43308-18	23/32-16	6.3	63.2	22.2	24.6	18.7	64.0
10	Y43310-18	27/32-14	7.9	85.7	25.4	29.2	22.5	122.0

