

SERIES: 190
SPECIFICATION: SAE AS4897
BRAID: CRES
INNERCORE: PTFE Smoothbore
QUALIFICATIONS: SAE AS4897, AS1055 Type IIa, Class A & B,
 Integral Firesleeve
 TSO-C140, Type 1aB/11a, Class B

RM190 (190 SERIES):

Aerospace low pressure smooth bore hose qualified to AS4897. The 190 Series is designed to answer the aerospace industry's need for a weight-saving low-pressure smooth bore PTFE hose. Operating pressures range from 1000 PSI (69 Bar) in the smaller diameters to 750 PSI (52 Bar) in the largest diameter. The hose consists of an extruded smoothbore PTFE innercore, reinforced with a single layer of CRES 304 wire braid. PTFE provides excellent chemical resistance over a temperature range of -65°F to +450°F (-54°C to +232°C) with unlimited shelf life. All 190 Series hose assemblies are furnished with AS1055 Class A & B integral firesleeve. Qualified standard fittings are CRES. Hybrid assemblies combining flex hose with multi-bend tube are a Titeflex specialty and provide improved vibration dampening, ease of installation, and maintenance over strictly rigid tube.



Hose size 8 depicted (Not to scale). Actual hose construction varies by size.

ENGLISH

HOSE SIZE	OPERATING PRESSURE	HOSE ID (MIN)	HOSE OD (MIN)	HOSE OD (MAX)	BRAIDED HOSE WT/1/	BEND RADIUS (MIN) /2/	PROOF PRESSURE	NEGATIVE PRESSURE	ROOM TEMP BURST (MIN)	HIGH TEMP BURST (MIN)
	psi	in	in	in	lb/in	in	psi	in HG	psi	psi
4	1,000	0.173	0.46	0.5	0.01	1	2,000	28	4,000	3,200
6	750	0.298	0.575	0.615	0.014	2	1,500	28	3,000	2,400
8	750	0.391	0.665	0.705	0.017	2	1,500	28	3,000	2,250

NOTES:
 /1/ Over minimum 12 inch length
 /2/ Inside of bend



TITFLEX RM 190 (190 SERIES)

METRIC

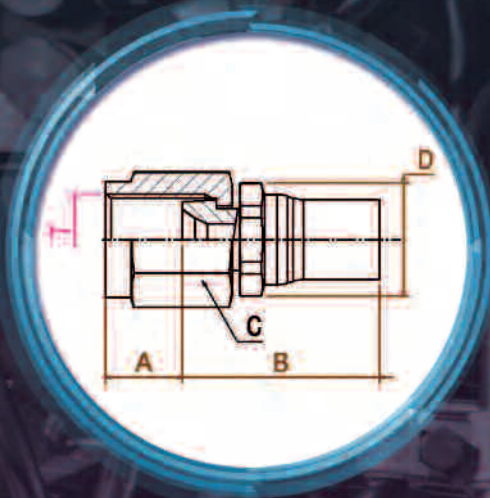
HOSE SIZE	OPERATING PRESSURE	HOSE ID (MIN)	HOSE OD (MIN)	HOSE OD (MAX)	BRAIDED HOSE WT /1/	BEND RADIUS (MIN) /2/	PROOF PRESSURE	NEGATIVE PRESSURE	ROOM TEMP BURST (MIN)	HIGH TEMP BURST (MIN)
	bar	mm	mm	mm	g/m	mm	bar	mm Hg	bar	bar
4	69	4.4	11.7	12.7	179	25.4	138	711.2	276	221
6	52	7.6	14.6	15.6	250	50.8	103	711.2	207	165
8	52	9.9	16.9	17.9	304	50.8	103	711.2	207	155

NOTES:
 /1/ Over minimum 305 mm length
 /2/ Inside of bend

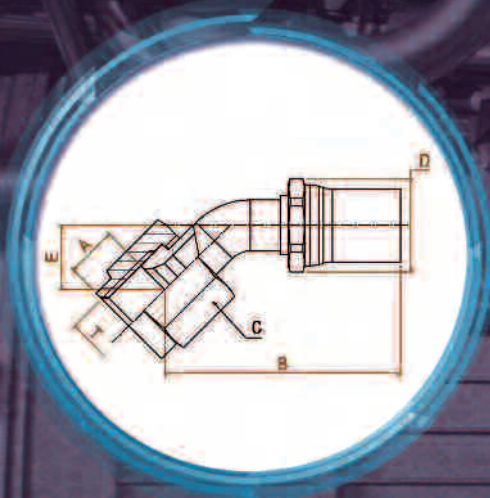
TITEFLEX RM 190 (190 SERIES) FLARED (JIC) FITTINGS

ENGLISH - INCHES

STRAIGHT FLARED FITTINGS - MATES WITH AS33656 / AS4395 AND AS33657 / AS4396

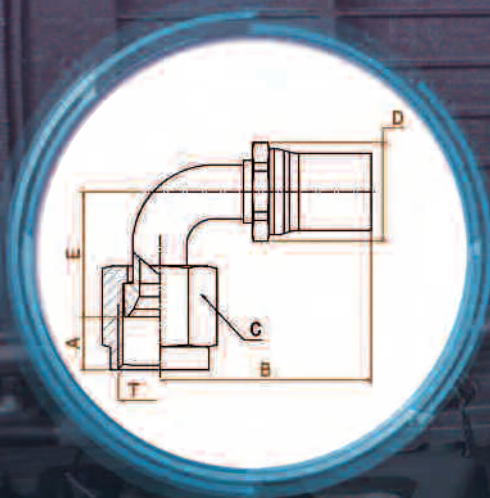


HOSE SIZE	PART NUMBER	NUT THREAD SIZE (T)	NUT ENGAGEMENT LENGTH (A)	REACH MAX (B)	NUT SIZE (C)	COLLAR HEX SIZE (D)	DROP (E)	WEIGHT (LB) CRES
4	Y40004-88	7/16-20	0.372	.950	0.562	0.550	NA	0.050
6	Y40006-88	9/16-18	0.369	1.185	0.687	1.700	NA	0.081
8	Y40008-88	3/4-16	0.438	1.300	0.875	1.830	NA	0.115



45° ELBOW FLARED FITTINGS - MATES WITH AS33656 / AS4395 AND AS33657 / AS4396

HOSE SIZE	PART NUMBER	NUT THREAD SIZE (T)	NUT ENGAGEMENT LENGTH (A)	REACH MAX (B)	NUT SIZE (C)	COLLAR HEX SIZE (D)	DROP (E)	WEIGHT (LB) CRES
4	Y40104-88	7/16-20	0.372	1.445	0.562	0.550	0.347	0.054
6	Y40106-88	9/16-18	0.369	1.841	0.687	0.700	0.471	0.093
8	Y40108-88	3/4-16	0.438	2.191	0.875	0.830	0.572	0.130



90° ELBOW FLARED FITTINGS - MATES WITH AS33656 / AS4395 AND AS33657 / AS4396

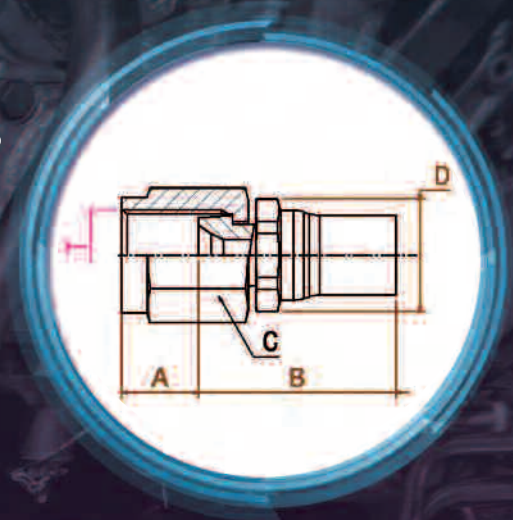
HOSE SIZE	PART NUMBER	NUT THREAD SIZE (T)	NUT ENGAGEMENT LENGTH (A)	REACH MAX (B)	NUT SIZE (C)	COLLAR HEX SIZE (D)	DROP (E)	WEIGHT (LB) CRES
4	Y40204-88	7/16-20	0.372	1.165	0.562	0.550	0.642	0.056
6	Y40206-88	9/16-18	0.369	1.511	0.687	0.700	0.882	0.096
8	Y40208-88	3/4-16	0.438	1.781	0.875	0.830	1.037	0.136

TITEFLEX RM 190 (190 SERIES) FLARED (JIC) FITTINGS

METRIC - MILLIMETERS

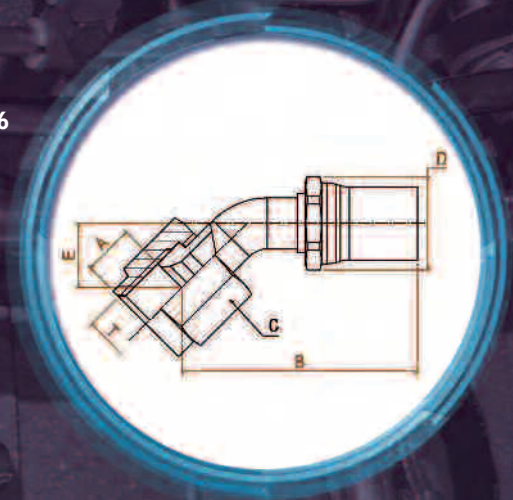
STRAIGHT FLARED FITTINGS - MATES WITH AS33656 / AS4395 AND AS33657 / AS4396

HOSE SIZE	PART NUMBER	NUT THREAD SIZE (T)	NUT ENGAGEMENT LENGTH (A)	REACH MAX (B)	NUT SIZE (C)	COLLAR HEX SIZE (D)	DROP (E)	WEIGHT (GRAMS) CRES
4	Y40004-88	7/16-20	9.4	24.1	14.3	14.0	NA	22.7
6	Y40006-88	9/16-18	9.4	30.1	17.4	17.8	NA	36.7
8	Y40008-88	3/4-16	11.1	33.0	22.2	21.1	NA	52.2



45° ELBOW FLARED FITTINGS - MATES WITH AS33656 / AS4395 AND AS33657 / AS4396

HOSE SIZE	PART NUMBER	NUT THREAD SIZE (T)	NUT ENGAGEMENT LENGTH (A)	REACH MAX (B)	NUT SIZE (C)	COLLAR HEX SIZE (D)	DROP (E)	WEIGHT (GRAMS) CRES
4	Y40104-88	7/16-20	9.4	36.7	14.3	14.0	8.8	24.5
6	Y40106-88	9/16-18	9.4	46.8	17.4	17.8	12.0	42.2
8	Y40108-88	3/4-16	11.1	55.7	22.2	21.1	14.5	59.0



90° ELBOW FLARED FITTINGS - MATES WITH AS33656 / AS4395 AND AS33657 / AS4396

HOSE SIZE	PART NUMBER	NUT THREAD SIZE (T)	NUT ENGAGEMENT LENGTH (A)	REACH MAX (B)	NUT SIZE (C)	COLLAR HEX SIZE (D)	DROP (E)	WEIGHT (GRAMS) CRES
4	Y40204-88	7/16-20	29.6	36.7	14.3	14.0	16.3	25.4
6	Y40206-88	9/16-18	38.4	46.8	17.4	17.8	22.4	43.5
8	Y40208-88	3/4-16	45.2	55.7	22.2	21.1	26.3	61.7

