

SERIES: 500
SPECIFICATION: SAE AS5951
BRAID: Kevlar®
INNERCORE: PTFE Smoothbore
QUALIFICATIONS: SAE AS5951

SA500 (500 SERIES):

500 Series: lightweight 5080 PSI (350 Bar) non-metallic aerospace hose qualified to AS5951. The hose consists of an extruded smoothbore conductive PTFE innercore, reinforced with Kevlar® para-aramid braid and covered by an integral Cordura® chafe sleeve. Standard fittings are titanium, however CRES fittings are also available. PTFE provides excellent chemical resistance and unlimited shelf life. The 500 Series is ideal for weight-critical 5080 PSI (207 Bar) applications within the temperature range of -65° to +275°F (-54°C to +135°C). Fire protection is available per AS1055 Class A with slip-on AS1072 firesleeve or non-standard integral firesleeve. Hybrid assemblies combining flex hose with multi-bend tube are a Titeflex specialty and provide improved vibration dampening, ease of installation, and maintenance over strictly rigid tube.



Hose size 8 depicted (Not to scale). Actual hose construction varies by size.

ENGLISH

HOSE SIZE	OPERATING PRESSURE	HOSE ID (MIN)	HOSE OD (MIN)	HOSE OD (MAX)	BRAIDED HOSE WT/1/	BEND RADIUS (MIN) /2/	PROOF PRESSURE	ROOM TEMP BURST (MIN)	HIGH TEMP BURST (MIN)
	psi	in	in	in	lb/in	in	psi	psi	psi
4	5,080	0.212	0.44	0.48	0.006	1.5	10,160	20,320	15,240
6	5,080	0.298	0.525	0.565	0.009	2.5	10,160	20,320	15,240
8	5,080	0.391	0.75	0.925	0.02	2.88	10,160	20,320	15,240
10	5,080	0.49	0.855	0.895	0.02	3.25	10,160	20,320	15,240
12	5,080	0.602	0.98	1.18	0.032	4	10,160	20,320	15,240

NOTES:
 /1/ Over minimum 12 inch length
 /2/ Inside of bend



TITFLEX SA500 (500 SERIES)

METRIC

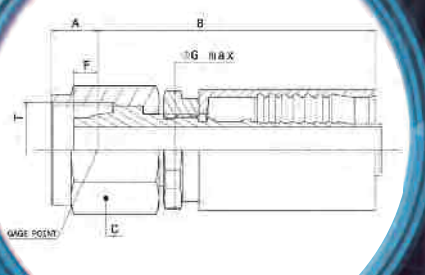
HOSE SIZE	OPERATING PRESSURE	HOSE ID (MIN)	HOSE OD (MIN)	HOSE OD (MAX)	BRAIDED HOSE WT/1/	BEND RADIUS (MIN) /2/	PROOF PRESSURE	ROOM TEMP BURST (MIN)	HIGH TEMP BURST (MIN)
	bar	mm	mm	mm	g/m	mm	bar	bar	bar
4	350	5.38	11.18	12.19	113	38.1	700	1400	1050
6	350	7.57	13.34	14.35	161	63.5	700	1400	1050
8	350	9.93	19.05	23.5	357	73.2	700	1400	1050
10	350	12.45	21.72	22.73	363	82.6	700	1400	1050
12	350	15.29	24.89	29.97	572	101.6	700	1400	1050

NOTES:
 /1/ Over minimum 305 mm length
 /2/ Inside of bend

TITFLEX SA500 (500 SERIES) FLARELESS (NAS) FITTINGS

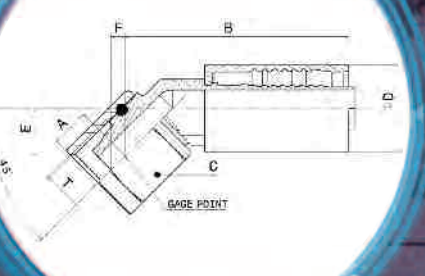
ENGLISH - INCHES

STRAIGHT FLARELESS FITTINGS - MATES WITH AS5827



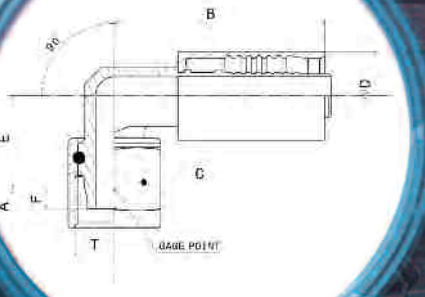
HOSE SIZE	PART NUMBER	NUT THREAD SIZE (T)	NUT ENGAGEMENT LENGTH (A)	REACH MAX (B)	NUT SIZE (C)	DROP (E)	GAGE POINT (F)	WEIGHT (LB) CRES
4	Y40404-50	7/16-28	0.320	1.920	0.560	NA	0.155	0.1
6	Y40406-50	9/16-24	0.326	2.160	0.690	NA	0.164	0.1
8	Y40408-50	3/4-20	0.368	2.510	0.880	NA	0.189	0.2
10	Y40410-50	7/8-20	0.396	3.090	1.000	NA	0.201	0.3
12	Y40412-50	1-1/16-18	0.421	4.040	1.250	NA	0.228	0.6

45° ELBOW FLARELESS FITTINGS - MATES WITH AS5827



HOSE SIZE	PART NUMBER	NUT THREAD SIZE (T)	NUT ENGAGEMENT LENGTH (A)	REACH MAX (B)	NUT SIZE (C)	DROP (E)	GAGE POINT (F)	WEIGHT (LB) CRES
4	Y40504-50	7/16-28	0.320	2.370	0.560	0.393	0.110	0.7
6	Y40506-50	9/16-24	0.326	2.550	0.690	0.433	0.116	0.1
8	Y40508-50	3/4-20	0.368	2.920	0.880	0.552	0.134	0.2
10	Y40510-50	7/8-20	0.396	3.530	1.000	0.565	0.142	0.3
12	Y40512-50	1-1/16-18	0.421	4.600	1.250	0.686	0.131	0.7

90° ELBOW FLARELESS FITTINGS - MATES WITH AS5827



HOSE SIZE	PART NUMBER	NUT THREAD SIZE (T)	NUT ENGAGEMENT LENGTH (A)	REACH MAX (B)	NUT SIZE (C)	DROP (E)	GAGE POINT (F)	WEIGHT (LB) CRES
4	Y40604-50	7/16-28	0.320	1.530	0.560	0.805	0.115	0.1
6	Y40606-50	9/16-24	0.326	1.720	0.690	0.875	0.164	0.1
8	Y40608-50	3/4-20	0.368	1.940	0.880	1.055	0.189	0.2
10	Y40610-50	7/8-20	0.396	2.470	1.000	1.240	0.201	0.3
12	Y40612-50	1-1/16-18	0.421	3.260	1.250	1.359	0.228	0.7

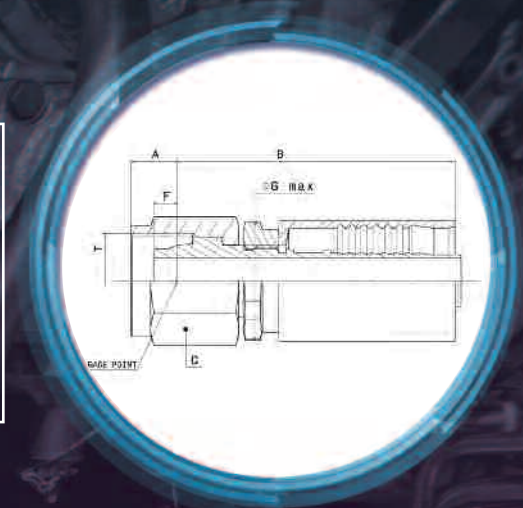
* Contact Titeflex for details.

TITEFLEX SA500 (500 SERIES) FLARELESS (NAS) FITTINGS

METRIC - MILLIMETERS

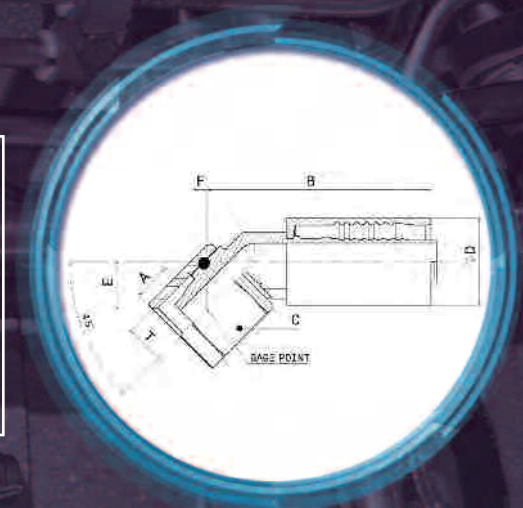
STRAIGHT FLARELESS FITTINGS - MATES WITH AS5827

HOSE SIZE	PART NUMBER	NUT THREAD SIZE (T)	NUT ENGAGEMENT LENGTH (A)	REACH MAX (B)	NUT SIZE (C)	COLLAR HEX SIZE (D)	GAGE POINT (F)	WEIGHT (GRAMS) CRES
4	Y40404-50	7/16-28	8.1	48.8	14.2	*	3.937	25.9
6	Y40406-50	9/16-24	8.3	54.9	17.5	*	4.166	46.3
8	Y40408-50	3/4-20	9.3	63.8	22.4	*	4.801	73.5
10	Y40410-50	7/8-20	10.1	78.5	25.4	*	5.105	112.0
12	Y40412-50	1-1/16-18	10.7	102.6	31.8	*	5.791	268.5



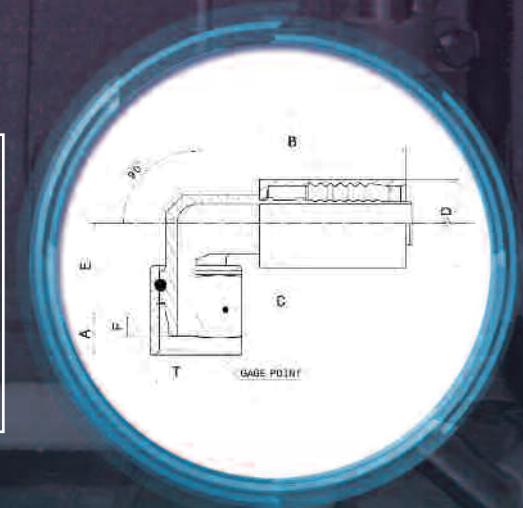
45° ELBOW FLARELESS FITTINGS - MATES WITH AS5827

HOSE SIZE	PART NUMBER	NUT THREAD SIZE (T)	NUT ENGAGEMENT LENGTH (A)	REACH MAX (B)	NUT SIZE (C)	COLLAR HEX SIZE (D)	DROP (E)	GAGE POINT (F)	WEIGHT (GRAMS) CRES
4	Y40504-50	7/16-28	8.1	60.2	14.2	*	10.0	2.794	313.0
6	Y40506-50	9/16-24	8.3	64.8	17.5	*	11.0	2.946	55.8
8	Y40508-50	3/4-20	9.3	74.2	22.4	*	14.0	3.404	85.7
10	Y40510-50	7/8-20	10.1	89.7	25.4	*	14.4	3.607	120.7
12	Y40512-50	1-1/16-18	10.7	116.8	31.8	*	17.4	4.089	310.3



90° ELBOW FLARELESS FITTINGS - MATES WITH AS5827

HOSE SIZE	PART NUMBER	NUT THREAD SIZE (T)	NUT ENGAGEMENT LENGTH (A)	REACH MAX (B)	NUT SIZE (C)	COLLAR HEX SIZE (D)	DROP (E)	GAGE POINT (F)	WEIGHT (GRAMS) CRES
4	Y40604-50	7/16-28	8.1	38.9	14.2	*	20.4	3.937	32.7
6	Y40606-50	9/16-24	8.3	43.7	17.5	*	22.2	4.166	58.5
8	Y40608-50	3/4-20	9.3	49.3	22.4	*	26.8	4.801	89.8
10	Y40610-50	7/8-20	10.1	62.7	25.4	*	31.5	5.105	136.1
12	Y40612-50	1-1/16-18	10.7	82.8	31.8	*	34.5	5.791	325.7



* Contact Titeflex for details.